

## OPTImill®\* MH 25V / MH 25SV

### Sturdy milling machines with continuously variable electronic speed control. MH 25SV with stepper motors and digital position display DRO 5

#### Facts that impress in terms of quality, performance and price

- ▶ Inverter motor
- ▶ Precision workmanship
- ▶ Particularly smooth action
- ▶ Counterweight facilitates Z axis adjustment
- ▶ Variable speed control
- ▶ Easy tool changing thanks to tool quick clamping system
- ▶ Wide rail on Z axis
- ▶ Groove prepared for easy retroactive mounting of magnetic strips
- ▶ Feed spindles can be adjusted thanks to adjustable spindle nuts
- ▶ Sturdy dovetail guide, precision ground and shaved with adjustable cleats
- ▶ Angular ball bearings on the axes
- ▶ Drilling/milling head pivots through  $\pm 45^\circ$
- ▶ Right-handed/left-handed rotation

- ▶ Height-adjustable protective screen with microswitch
- ▶ Limit switches for all three axes

#### MH 25V:

- ▶ Easily readable speed display in milling head

#### MH 25SV:

- ▶ Continuously variable feed on all axes
- ▶ Rapid motion X/Y axis for fast positioning
- ▶ Digital 3-axis position display DRO 5
- ▶ Feed cut-off at end position
- ▶ Transportable control panel
- ▶ The feed switches off when the spindle is stationary

#### Mechanical quick change clamping system



- › The milling head is equipped with spring collet for pull studs BT30x45°
- › Easy to change by turning an Allen key in the adapter bore.

#### Energy chain



- › cable guidance easy on material

#### Control panel

- › User-friendly membrane keyboard with touch and switch control
- › Easy to clean
- › Excellent operability



- › Control panel MH 25SV
- › Good mobility thanks to ability to remove control panel from holder



- › Control panel MH 25V

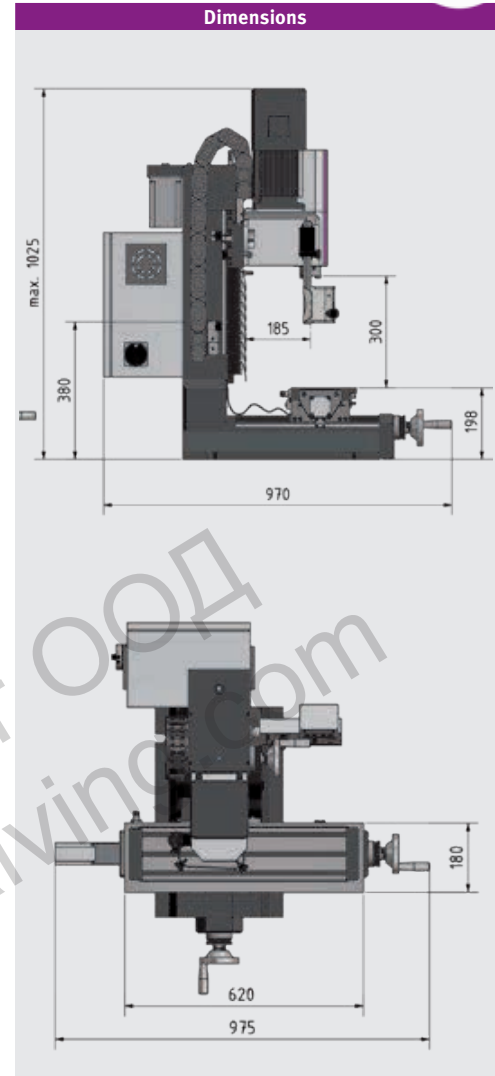


Ташев-Галвинг ООД  
www.tashev-galving.com



## Technical specifications, accessories and dimensions

Model	MH 25V	MH 25SV
Article no.	3338155	3338160
<b>Technical specifications</b>		
Electrical connection	230 V / 1 Ph ~50 Hz	
Total rated value	2 kW	
<b>Milling spindle</b>		
Drive motor	1.5 kW	
Drive motor torque	10 Nm	
<b>Drilling/milling output</b>		
Max. sensor head size	Ø 52 mm	
Max. shaft milling cutter size	Ø 25 mm	
<b>Spindle</b>		
Spindle seat	BT 30	
Throat	185 mm	
<b>Drilling/milling head</b>		
Spindle speeds	200 - 4 000 rpm	
Speeds	Electronic speed control	
Pivot range	45°	
<b>Cross table</b>		
Length x width	620 x 180 mm	
T-slot size / spacing / count	12 mm / 50 mm / 3	
Cross table max. load bearing capacity	30 kg	
Clearance spindle to cross table	300 mm	
<b>Travel</b>		
X axis	manual 400 mm	automatic 380 mm
Y axis	manual 210 mm	automatic 130 mm
Z axis	manual 270 mm	automatic 190 mm
<b>Torque</b>		
X/Y/Z axis	- / 2.2 / 2.2 / 4.2 Nm	
<b>Travel speeds</b>		
X axis	150 - 930 mm/min.	
Y axis	100 - 580 mm/min.	
Z axis	80 - 450 mm/min.	
<b>Dimensions</b>		
Length x width x height	970 x 975 x 1 025 mm	
Weight	192 kg	200 kg



Accessories	Article no.
Milling head holder Ø 22 mm	3353306
Chuck 1 - 13 mm	3536303
Weldon holder Ø 6 mm	3353310
Weldon holder Ø 8 mm	3353311
Weldon holder Ø 10 mm	3353312
Weldon holder Ø 12 mm	3353313
Weldon holder Ø 16 mm	3353314
Weldon holder Ø 20 mm	3353315
Adapter BT 30 - MT 2	3353305
Spring collet holder ER 32	3353304
Spring collet holder spanner ER 32	3353307
Collet kit ER 32	3441122
Height-adjuster	3536290
Assembly and tool adjustment gauge	3536193
Taper squeegee	3353301
Pull stud 40 x 45° M12	3353302
Pull stud DIN2080 M12	3536177
Assortment of clamping tools size 10, 58-parts	3352016
Universal chassis (information on page 135)	3353009
› More accessories for milling machines from page 126	

Accessories	Article no.
<b>Starter set BT 30</b>	3353282
› Milling head holder Ø 22 mm	
› Chuck 1 - 13 mm	
› 2 pcs. Weldon Ø 6 mm and 20 mm	
› 1 pc. each Weldon Ø 8 / 10 / 12 / 16 mm	
› BT 30 - MT 2 adapter	
› 3 pcs. spring collet holder ER 32	
› Spring collet key ER 32	
› 18-part Collet kit ER 32	
› Height-adjuster	
› Assembly and tool adjustment gauge	
› 14 pcs. pull studs	
› Taper squeegee	

Machine vices	Article no.
<b>FMS 100</b>	3354100
<b>VMQ 80</b>	3354180
<b>MV3-75</b>	3354175
<b>ZAS 50</b>	3354170
› Information about vices from page 120	